

fascias



Clean edge finish (no fascia) and dress guard



Standard black fascia (shown without mandatory dress guard).

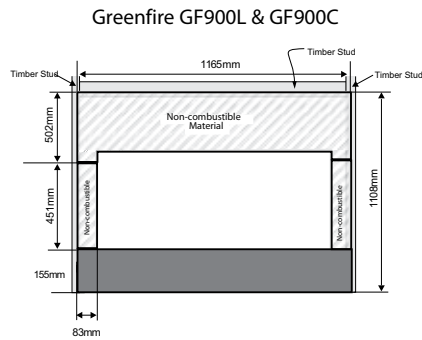
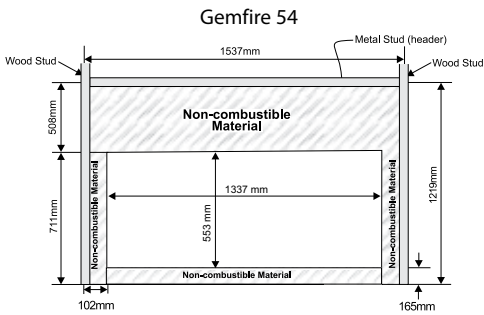
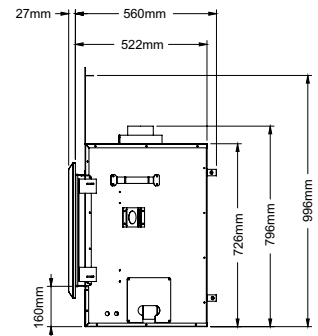
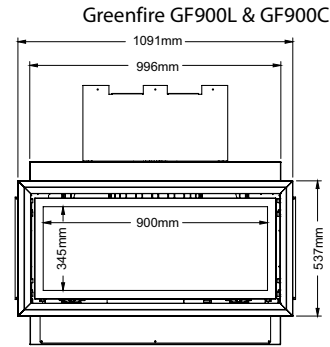
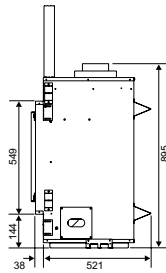
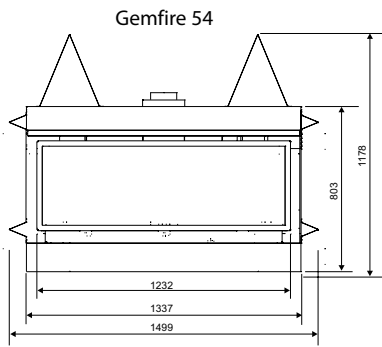


Premium glass fascia and dress guard

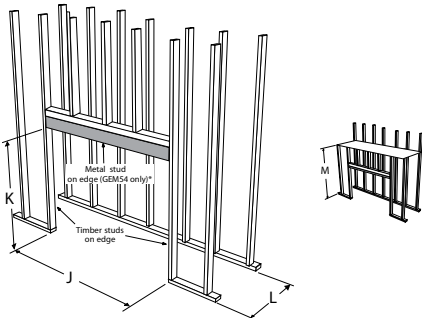


Contemporary door frame and fascia in brushed stainless steel (shown without mandatory dress guard).

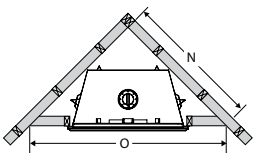
specifications



Framing



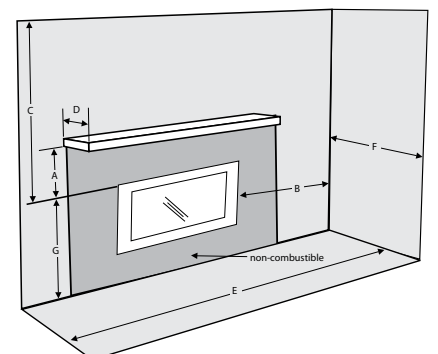
* Note: GEM54 requires top metal stud only. All framing for GF900L and GF900C may be of wood construction.



Framing	GEM54	GF900L	GF900C
J	1524	1127	1127
K	1184	1089	1089
L	559	552	552
M	1295	1151	1151
N	1829	1273	1273
O	2586	1800	1800

Clearances	GEM54	GF900L	GF900C
A*	508	438-667	438-667
B	102	146	146
C	1038	1003	1003
D*	330	305	305
E	2108	1480	1480
F	914	787	787
G		610	610

Clearances



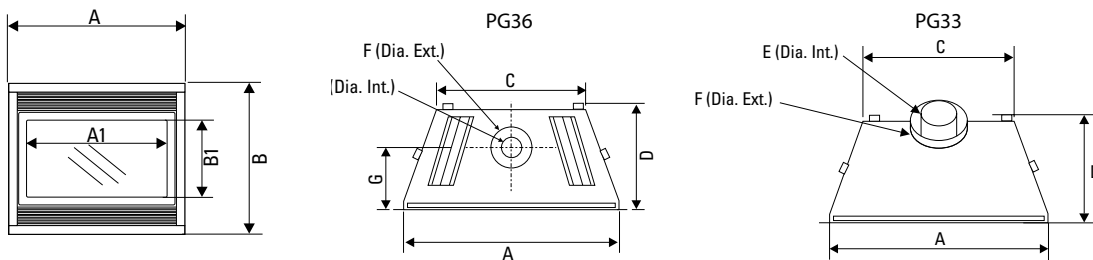
* Clearances vary for different mantel widths. Please refer to manual for detailed clearances.

remote controls



Control your gas fire with a remote exclusive to Regency. The remote can be used as a thermostat, allowing you to set and automatically maintain a desired temperature. You can also adjust the flame height and control the fan speed. Note: Some functions are not available on all models.

Fascia dimensions	GF900C/GF900L		GEM54	
	Width	Height	Width	Height
Clean edge finish option (no fascia)	1002	446	--	--
Standard black fascia	1091	537	1440	638
Contemporary door frame & fascia in brushed stainless steel	1091	537	1440	638
Premium glass fascia in black	1192	638	1490	689



Dimensions	A	B	A1	B1	C	D	E	F	G
PG33	838	737	660	406	584	324	102	175	-
PG36	914	775	741	394	838	324	102	175	184

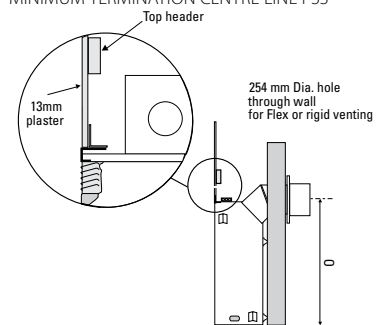
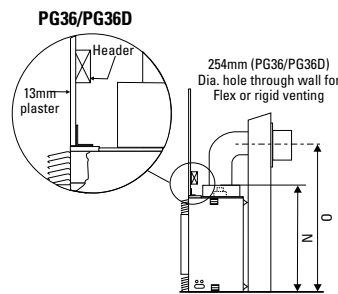
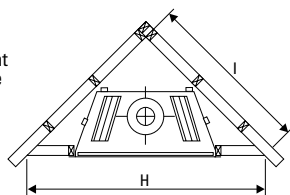
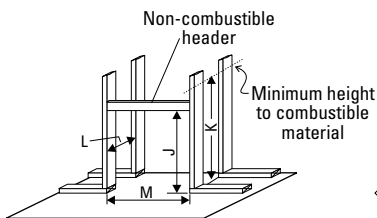
Framing

FRAMING - FRONT VIEW

FRAMING - TOP VIEW

MINIMUM TERMINATION CENTRE LINE PG36

MINIMUM TERMINATION CENTRE LINE P33



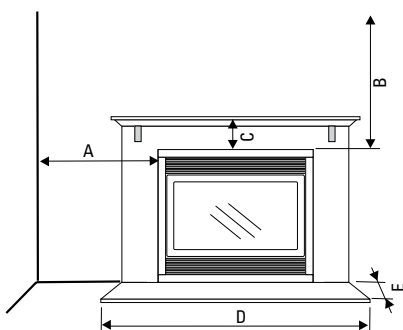
Framing (horizontal termination)	Minimum termination centre line							
	H	I	J	K*	L	M	N	O
PG33 (Flex flue)	1353	953	806	813	324	845	0	660
PG33 (Rigid flue)	1353	953	806	914	419	845	0	762
PG36	1524	1078	921	1126	324	921	914	1029
PG36 (premium flush front)	1524	1078	946	1182	432	944	914	1029
PG121	please refer to installation manual							

* When using rigid pipe.

For vertical termination or vertical rise with horizontal termination please refer to manual.

Note: Framing dimensions are a guide only. Always check the current installation manual before commencing construction.

Clearances



Clearances	PG33	PG36	PG121
A	191	152	914
B	762	1016	914
C	178	178	*
D	0	0	0
E	0	0	0

*Please refer to the installation manual.

Note: For PG121 there is a 699mm vent heat shield on the vent end of the fireplace. Please allow appropriate space for centre positioning

